
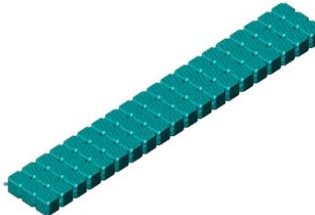
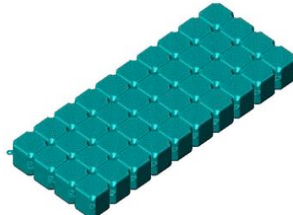


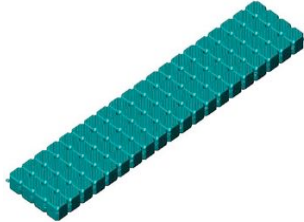
Schemes for docks width 1,5m

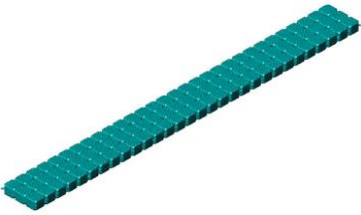
1,5x5	7,5m²
Max.load capacity 2.625Kg	
	
Material	Quantity
Double unit	15
Connector	18
Spacer Big	12
Screw Nut	12
Keys	3

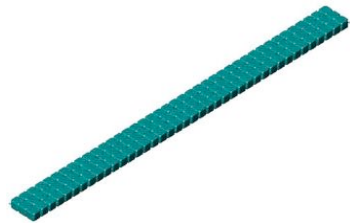
1,5x10	15m²
Max. load capacity 5.250Kg	
	
Material	Quantity
Double unit	30
Connector	38
Spacer Big	22
Screw Nut	22
Keys	3

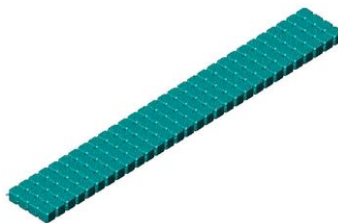
Schemes for docks width 2m

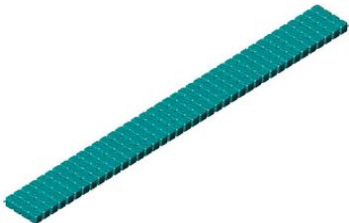
2x5	10m²
Max.load capacity 3.500Kg	
	
Material	Quantity
Double unit	20
Connector	27
Spacer Big	18
Screw Nut	18
Keys	3

2x10	20m²
Max. load capacity 7.000Kg	
	
Material	Quantity
Double unit	40
Connector	57
Spacer Big	33
Screw Nut	24
Keys	3

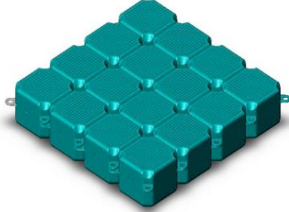
1,5x15	22,5m²
Max. load capacity 7.875Kg	
	
Material	Quantity
Double unit	45
Connector	58
Spacer Big	32
Screw Nut	32
Keys	3

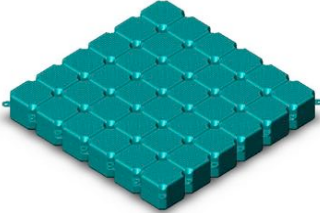
1,5x20	30m²
Max. load capacity 10.500Kg	
	
Material	Quantity
Double unit	60
Connector	78
Spacer Big	42
Screw Nut	32
Keys	3

2x15	30m²
Max. load capacity 10.500Kg	
	
Material	Quantity
Double unit	60
Connector	87
Spacer Big	48
Screw Nut	34
Keys	3

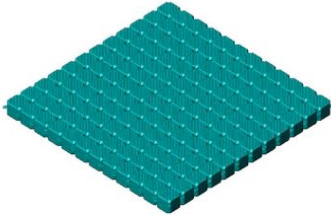
2x20	40m²
Max. load capacity 14.000Kg	
	
Material	Quantity
Double unit	80
Connector	117
Spacer Big	63
Screw Nut	44
Keys	3

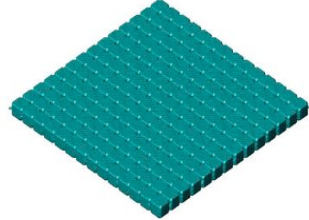
Schemes for square platforms width 2-5m

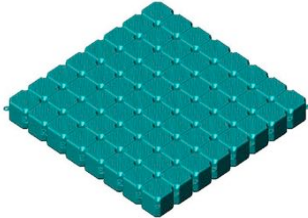
2x2	4m²
Max. load capacity 1.400Kg	
	
Material	Quantity
Double unit	8
Connector	9
Spacer Big	9
Screw Nut	8
Keys	3

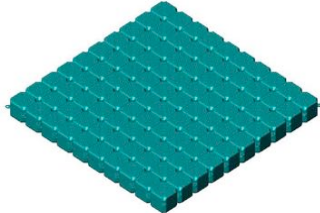
3x3	9m²
Max. load capacity 3.150Kg	
	
Material	Quantity
Double unit	18
Connector	25
Spacer Big	20
Screw Nut	14
Keys	3

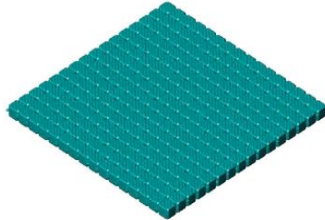
Schemes for square platforms width 6-9m

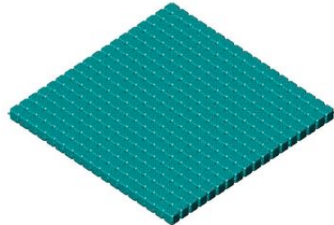
6x6	36m²
Max. load capacity 12.600Kg	
	
Material	Quantity
Double unit	72
Connector	121
Spacer Big	77
Screw Nut	32
Keys	3

7x7	49m²
Max. load capacity 17.150Kg	
	
Material	Quantity
Double unit	98
Connector	169
Spacer Big	104
Screw Nut	38
Keys	3

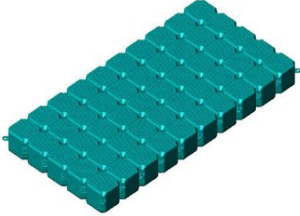
4x4	16m²
Max. load capacity 5.600Kg	
	
Material	Quantity
Double unit	32
Connector	49
Spacer Big	35
Screw Nut	20
Keys	3

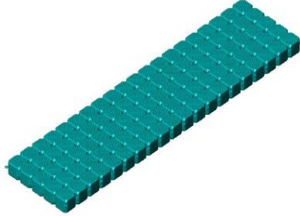
5x5	25m²
Max. load capacity 8.750Kg	
	
Material	Quantity
Double unit	50
Connector	81
Spacer Big	54
Screw Nut	26
Keys	3

8x8	64m²
Max. load capacity 22.400Kg	
	
Material	Quantity
Double unit	128
Connector	225
Spacer Big	135
Screw Nut	44
Keys	3

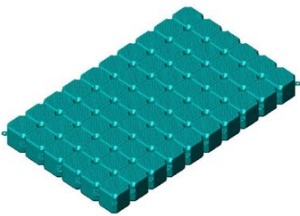
9x9	81m²
Max. load capacity 28.350Kg	
	
Material	Quantity
Double unit	161
Connector	289
Spacer Big	170
Screw Nut	50
Keys	3

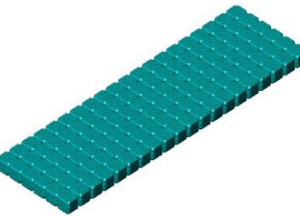
Schemes for docks width 2,5m


2,5x5	12,5m²
Max. load capacity 4.375Kg	
	
Material	Quantity
Double unit	25
Connector	36
Spacer Big	24
Screw Nut	16
Keys	3


2,5x10	25m²
Max. load capacity 8.750Kg	
	
Material	Quantity
Double unit	50
Connector	76
Spacer Big	44
Screw Nut	26
Keys	3

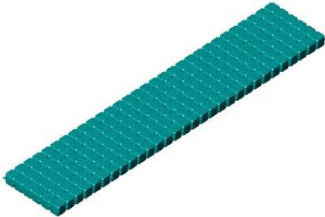
Schemes for docks width 3m


3x5	15m²
Max. load capacity 5.250Kg	
	
Material	Quantity
Double unit	30
Connector	45
Spacer Big	30
Screw Nut	18
Keys	3

3x10	30m²
Max. load capacity 10.500Kg	
	
Material	Quantity
Double unit	60
Connector	95
Spacer Big	55
Screw Nut	28
Keys	3

2,5x15	37,5m²
Max. load capacity 13.125Kg	
	
Material	Quantity
Double unit	75
Connector	116
Spacer Big	64
Screw Nut	36
Keys	3

2,5x20	50m²
Max. load capacity 17.500Kg	
	
Material	Quantity
Double unit	100
Connector	156
Spacer Big	84
Screw Nut	46
Keys	3

3x15	45m²
Max. load capacity 15.750Kg	
	
Material	Quantity
Double unit	90
Connector	145
Spacer Big	80
Screw Nut	38
Keys	3

3x20	60m²
Max. load capacity 21.000Kg	
	
Material	Quantity
Double unit	120
Connector	195
Spacer Big	105
Screw Nut	48
Keys	3